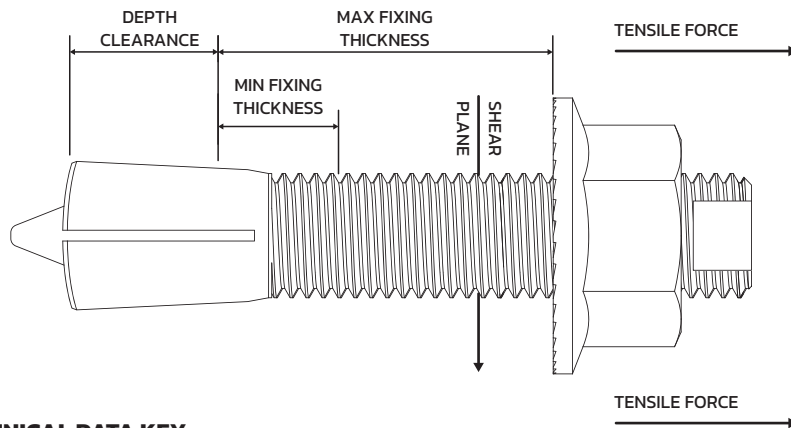


Heavy Duty Product Specification Zinc Flake 1000Hr SSP (1000 hour Salt Spray Protection)

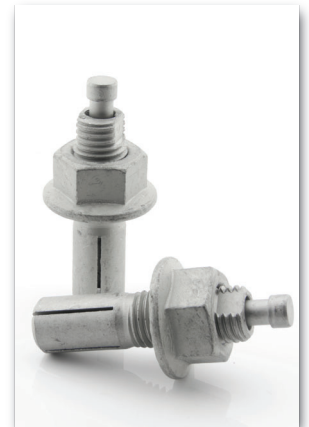
| Product Code | Bolt Size | Hole Diameter | Clamping Range | | Depth Clearance | Corrosion Protection Salt Spray (hours) |
|--------------|-----------|---------------|----------------|-----|-----------------|---|
| | | | Min | Max | | |
| HD0845ZF | M8 x 45 | 8 | 7 | 25 | 10 | Zinc Flake 1000Hr |
| HD1045ZF | M10 x 45 | 10 | 7 | 25 | 12 | Zinc Flake 1000Hr |
| HD1060ZF | M10 x 60 | 10 | 7 | 40 | 12 | Zinc Flake 1000Hr |
| HD1245ZF | M12 x 45 | 12 | 8 | 22 | 15 | Zinc Flake 1000Hr |
| HD1260ZF | M12 x 60 | 12 | 8 | 34 | 15 | Zinc Flake 1000Hr |
| HD1275ZF | M12 x 75 | 12 | 8 | 48 | 15 | Zinc Flake 1000Hr |
| HD1660ZF | M16 x 60 | 16 | 12 | 30 | 25 | Zinc Flake 1000Hr |
| HD1675ZF | M16 x 75 | 16 | 12 | 45 | 25 | Zinc Flake 1000Hr |
| HD2070ZF | M20 x 70 | 20 | 15 | 32 | 30 | Zinc Flake 1000Hr |
| HD2085ZF | M20 x 85 | 20 | 15 | 47 | 30 | Zinc Flake 1000Hr |



TECHNICAL DATA KEY

Design Resistances for HD Type Blind Bolts. Design to BS EN 1993-1-8 Zinc Flake 1000Hr SSP HD BOLTS

| Bolt Size | Tensile (kN) | Single Shear (kN) | Recommended Pre-load Tightening Torque (Nm) |
|-----------|--------------|-------------------|---|
| M8 | 8.5 | 14.1 | 20 |
| M10 | 25.2 | 22.3 | 35 |
| M12 | 46.4 | 32.3 | 45 |
| M16 | 57.5 | 60.1 | 95 |
| M20 | 77.5 | 94.1 | 120 |



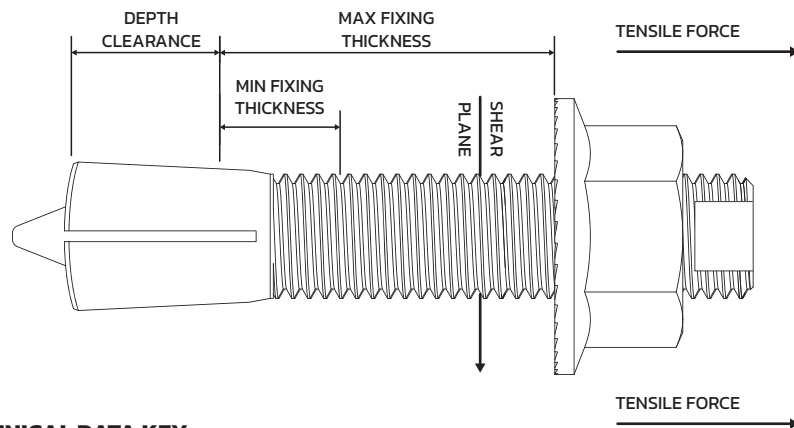
The Above Resistances are equally appropriate for designs to BS 5950.

Designers are reminded that the strength and deformation of the support must be checked in thin plate as this may be critical.



Heavy Duty Product Specification A4-70 STAINLESS STEEL

| Product Code | Bolt Size | Hole Diameter | Clamping Range | | Depth Clearance |
|--------------|-----------|---------------|----------------|-----|-----------------|
| | | | Min | Max | |
| HD0845SS | M8 x 45 | 8 | 7 | 25 | 10 |
| HD1045SS | M10 x 45 | 10 | 7 | 25 | 12 |
| HD1060SS | M10 x 60 | 10 | 7 | 40 | 12 |
| HD1245SS | M12 x 45 | 12 | 8 | 22 | 15 |
| HD1260SS | M12 x 60 | 12 | 8 | 37 | 15 |
| HD1660SS | M16 x 60 | 16 | 12 | 30 | 25 |
| HD2070SS | M20 x 70 | 20 | 15 | 32 | 30 |



TECHNICAL DATA KEY

Design Resistances for HD Type Blind Bolts Design to BS EN 1993-1-8 A4-70 STAINLESS STEEL

| Bolt Size | Tensile (kN) | Shear (kN) | Recommended Pre-load Tightening Torque (Nm) |
|-----------|--------------|------------|---|
| M8 | 10.5 | 12.9 | 18 |
| M10 | 20.2 | 20.0 | 24 |
| M12 | 31.4 | 29.5 | 30 |
| M16 | 40.1 | 41.5 | 45 |
| M20 | 68.7 | 75.2 | 80 |



The Above Resistances are equally appropriate for designs to BS 5950.

Designers are reminded that the strength and deformation of the support must be checked in thin plate as this may be critical.

